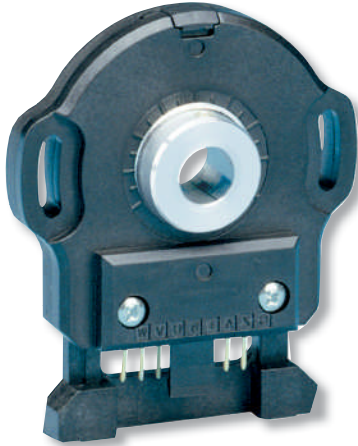




RCML15 Series Encoders



The **RCML15 Series** is a low profile optical encoder. The RCML15 combines brushless motor commutation pulses and incremental position feedback. This RENCO feature reduces the cost while improving the performance and reliability of the brushless motor/encoder package. The patented slide lock mechanism makes installation and commutation track alignment simple. The low profile makes the RCML15 perfect for designs where space is critical.

Features:

- Low profile (8.89mm [.350 inch] height)
- Patented slide lock for easy installation
- Line count up to 5000
- 2 data channels in quadrature
- Once around index pulse
- 3 commutation channels (optional)
- Opto-Asic technology
- 500 KHz frequency response

Environmental:

Operating Temp	-30° to 100°C
Excursion Limits:	
Storage Temp	-40° to 115°C
Shock	100 G's for 6mS duration
Vibration	25 to 2000 Hz @ 20 G's
Humidity	85%/85°C non-condensing
IP Rating	IP40

Mechanical:

Moment of Inertia	0.89g-cm ² [1.26 x 10 ⁻⁵ oz in sec ²]
Weight	15 encoders with tray = 11 oz.
Base Material	Glass filled PPS
Cover Material	Glass filled polycarbonate
Disc Material	Metal 0.05 THK TYP
Hub Material	Aluminum
Shaft Max End Play	±0.254mm [± 0.010]
Shaft Run Out	0.025mm [.001"] TIR
Mounting Hardware	2 each #2-56 x 3/8" screws.

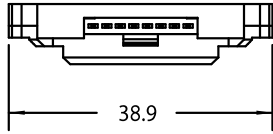
Electrical:

Signals	Incremental plus optional commutation
Input Voltage	3.3 VDC ±10% or 5.0 VDC ± 10% Single Supply
Current	55 mA Max with 2000 Ohm Termination @ nominal voltage ±10%
Output Format	A/B in phase quadrature. INDEX width & location gated with respect to data
Output Type	PP = Source or Sink 4 mA Max.
Output Logic Levels	Logic 0 = 0.5 V Max, Logic 1 = 2.5 V Min.(2.2 V Min for 3.3 V supply)
Operating Frequency	To 500 KHz

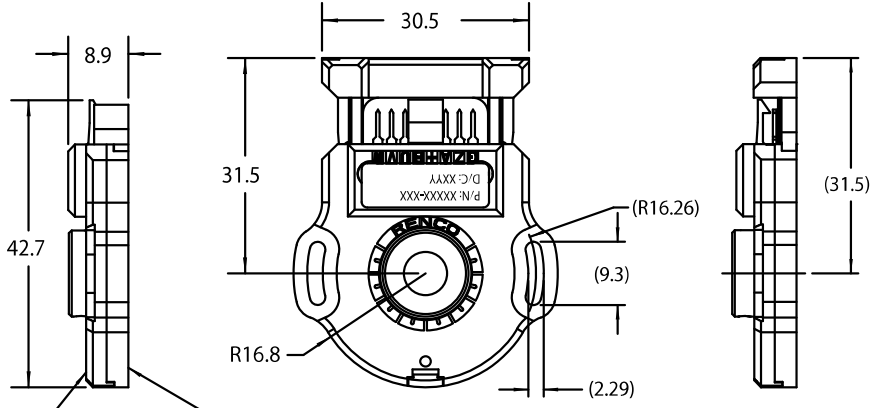
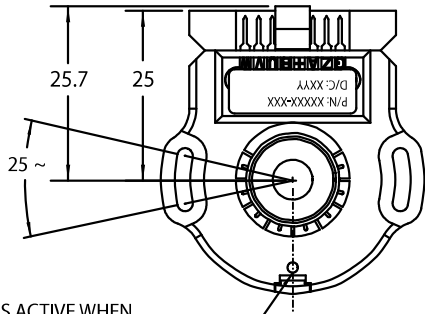
Resolution:

Line Count	100, 200, 250, 256, 400, 500, 512, 625, 800, 1000, 1024, 1250, 2000, 2048, 2500, 4000, 4096, 5000
Commutation	0, 2, 3, 4
Index Gating	1 = Index Gated with A & B, Index width 90° ± 45° 6 = Index Gated with A- & B-, Index width 90° ± 45° 7 = Centered on A & B, Index width 270° ± 45° 8 = Centered on A- & B-, Index width 270° ± 45°

Mechanical Dimensions



RECOMMENDED CONNECTOR
BERG 90312-008 LF (RECEPTACLE)
77138-001 LF (CONTACT)

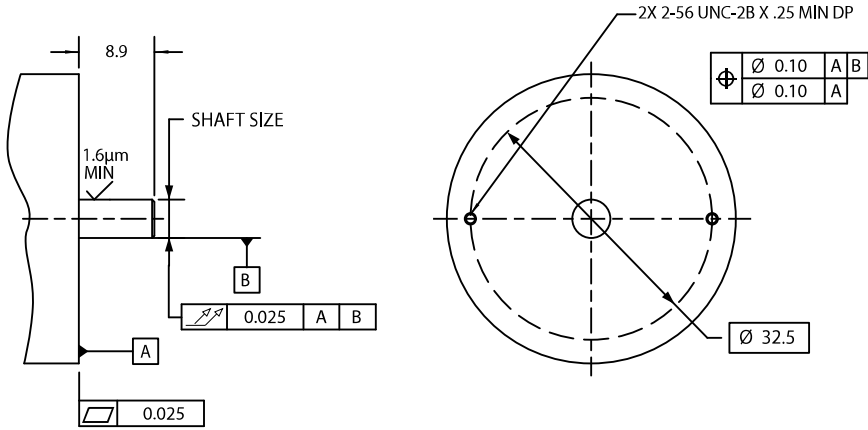


INDEX IS ACTIVE WHEN
SETScrew IS ALIGNED
W/ LOCATOR MARK $\pm 10^\circ$
MECHANICAL

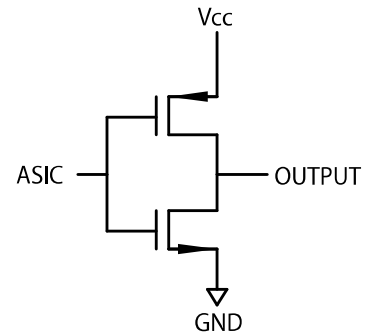
COVER MATL: BLACK POLYCARBONATE

BASE MATL: POLYPHENYLENE SULFIDE
(RYTON R4)

Mounting Requirements



Recommended Termination



Hub Size

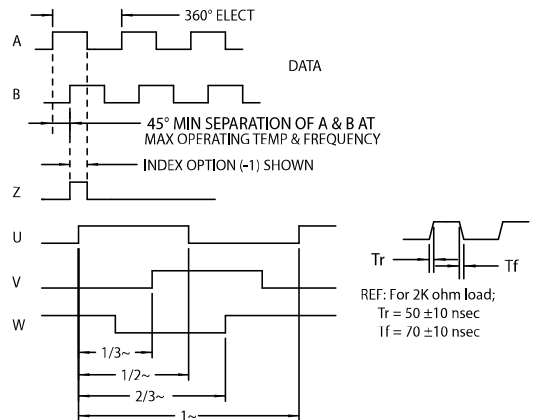
SPECIFY	HUB SIZE +0.01 -0	SHAFT SIZE +0 -0.013
1/8+	3.178	3.175
3/16	4.757	4.754
3/16+	4.765	4.762
1/4	6.345	6.342
1/4+	6.353	6.350
5/16	7.932	7.929
3/8	9.52	9.517
3/8+	9.528	9.525
5MM	5	4.997
6MM	6	5.997
8MM	8	7.997

Pin Functions

PIN NO.	FUNCTION
1	GND
2	Z
3	A
4	+5V
5	B
6	U
7	V
8	W

Phase Quadrature

CCW VIEWING ENCODER TOP PP/PP OPTION SHOWN



Ordering Information

RCML15 - _____ / _____ - _____ - _____ - _____
RESOLUTION See Front Page COMMUTATION See Front Page HUB SIZE VOLTAGE See Front Page GATING OPTION See Front Page