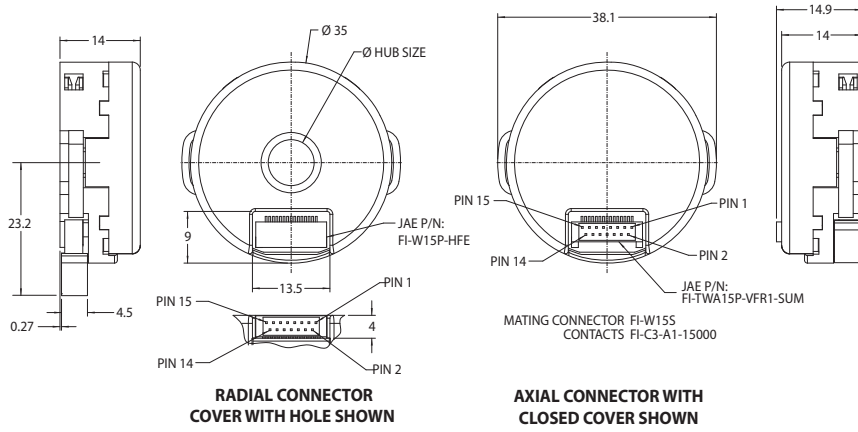
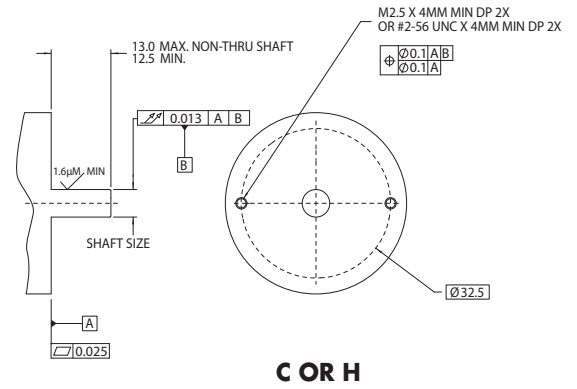


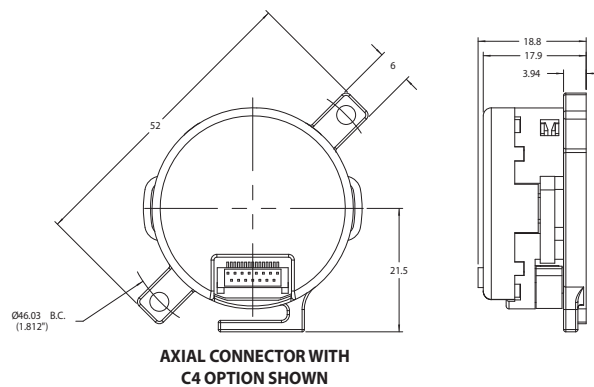
Mechanical Dimensions



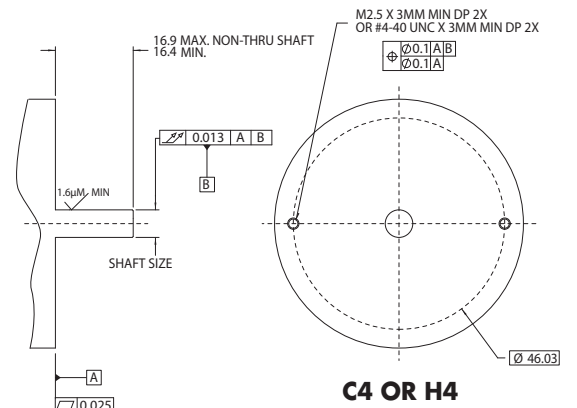
Mounting Requirements



Mechanical Dimensions



Mounting Requirements

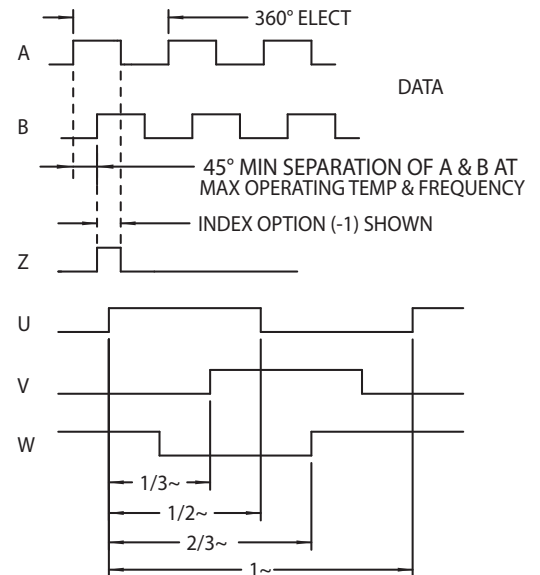


Pin Functions

PIN NO.	5/0 LD/0	5/0 LD/LD	5/0 LD/PP	5/0 PP/0	5/0 PP/PP	5/0 0/LD	5/0 0/PP	5/5 LD/VO OR LD/VC	5/5 PP/VO OR PP/VC
1	A	A	A	A	A			A	A
2	A-	A-	A-	A-	A-			A-	A-
3	B	B	B	B	B			B	B
4	B-	B-	B-	B-	B-			B-	B-
5	Z	Z	Z	Z	Z			Z	Z
6	Z-	Z-	Z-	Z-	Z-			Z-	Z-
7		U	U		U	U	U	U	U
8		U-			U-	U-	U-	GND2	GND2
9		V	V		V	V	V	V	V
10		V-			V-	V-	V-	+5V2	+5V2
11		W	W		W	W	W	W	W
12		W-			W-	W-	W-	W	W
13	+5V	+5V	+5V	+5V	+5V	+5V	+5V	+5V	+5V
14	GND	GND	GND	GND	GND	GND	GND	GND1	GND1
15									
CURRENT (mA)	100	160	108	48	56	100	48	108	56

Phase Quadrature

CCW VIEWING ENCODER TOP PP/PP OPTION SHOWN



Hub Size

SPECIFY	HUB SIZE +0.01 -0	SHAFT SIZE +0 -0.013
1/8	3.17	3.167
3/16	4.757	4.754
3/16+	4.765	4.762
5mm	5	4.997
6mm	6	5.997
1/4	6.345	6.342
1/4+	6.353	6.350
5/16	7.932	7.929
5/16+	7.94	7.937
8mm	8	7.997
3/8	9.52	9.517
3/8+	9.528	9.525

Output Format

VOLTAGE	DATA/COMM
5/0	LD/0 LD/LD
	LD/PP PP/0
	PP/PP 0/LD
	0/PP
5/5	LD/VO LD/VC
	PP/VO PP/VC

Closure Option

SPECIFY	CLOSURE OPTION
C	CLOSED COVER
H	COVER W/ HOLE
C4	46.02 MTG, CLOSED COVER
H4	46.02 MTG, COVER W/ HOLE

Connector

A = Axial
R = Radial

Ordering Information

R35i - / - - / - **5/** - - -

RESOLUTION See Front Page COMMUTATION See Front Page HUB SIZE OUTPUT FORMAT VOLTAGE See Front Page GATING OPTION See Front Page CONNECTOR CLOSURE OPTION